



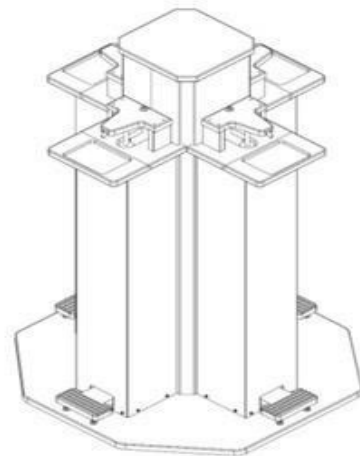
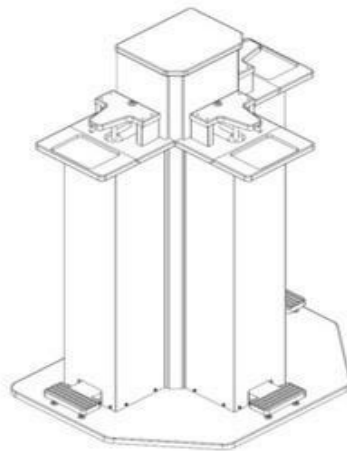
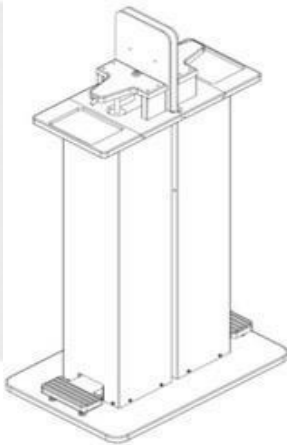
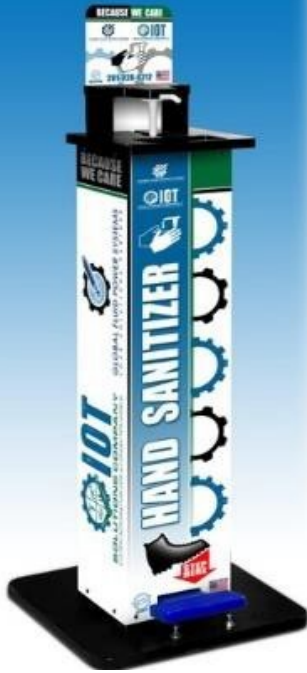
**GLOBAL FLUID
POWER SYSTEMS**
YOUR SOLUTIONS PARTNER



IOT

SOLUTIONS COMPANY
SYSTEM INTEGRATION FOR A CONNECTED WORLD

HANDS FREE SANITIZER STATION



Hands-Free Sanitizer Station

- One Solution Pump
- Sanitizing Solution sold separately
- Stand dimensions: 16" x 16" x 48 ¾"
- Stand weight: 35 lb

Price

- Purchase: \$1,399 plus tax
- Monthly Rent: \$155 plus tax for minimum 1 (one) year agreement
- Quantity discounts available

- Made in the USA!
- Our sanitizer station is 100% hands free
- Built for High volume operation – one gallon up to 6,000 dispenses
- YOU control the output rate
- Refillable
- DURABLE! Industrial grade construction is built to last; ultra-high-density molded plastic and stainless-steel constructions
- Fully customizable
- Stations with 2, 3 or 4 units
- Removable tray for easy cleaning
- Large, easy to use foot pedal
- Locking key for security
- No tool required to refill
- Customer own logo design

